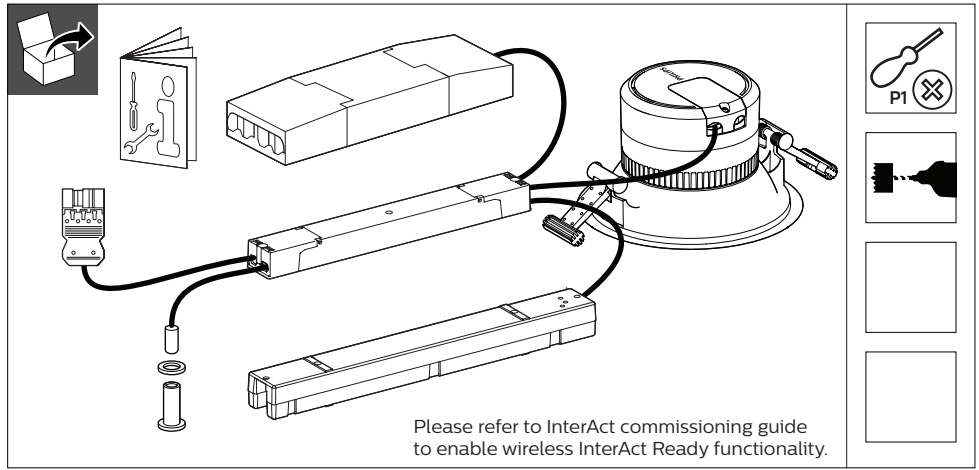


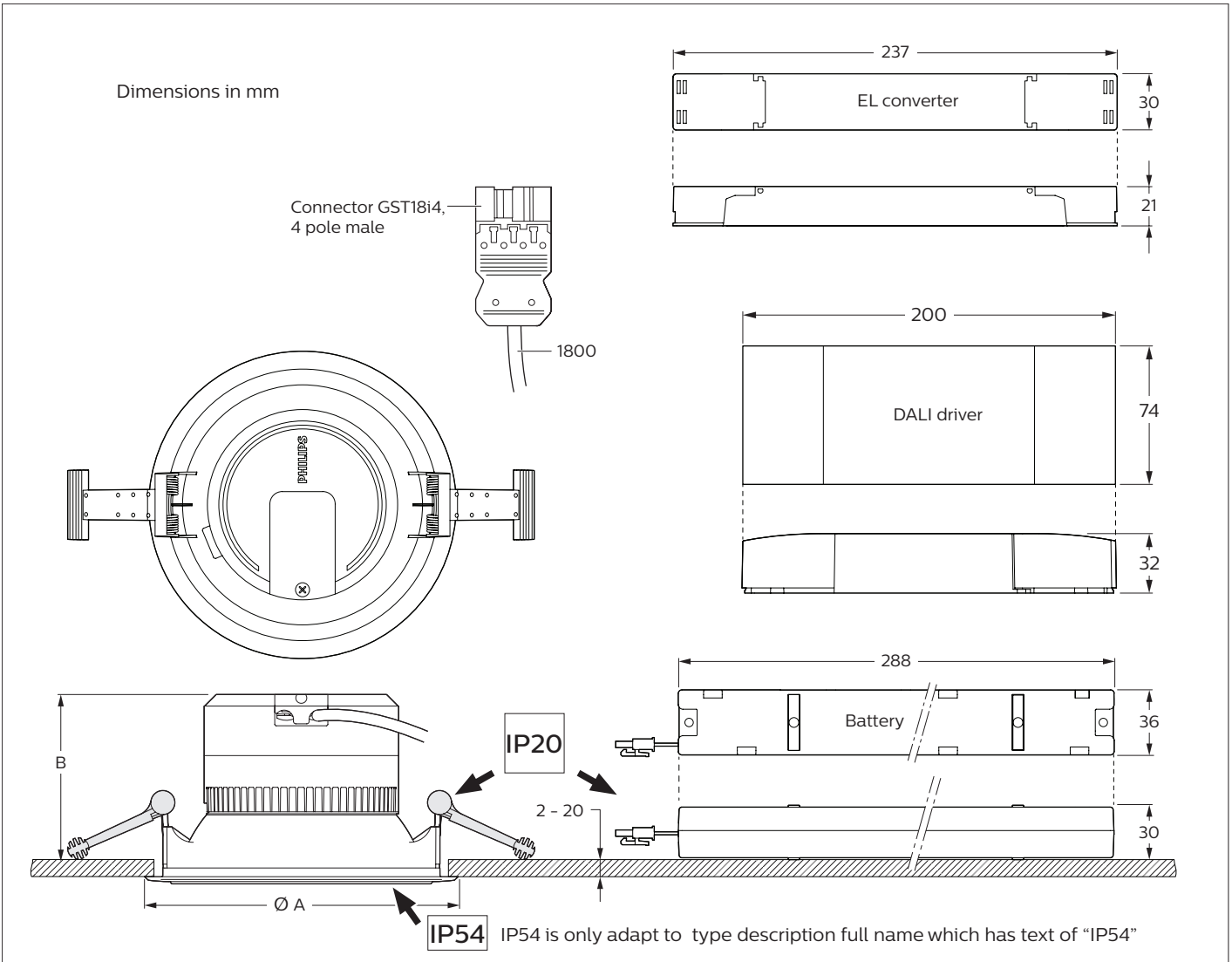
PHILIPS

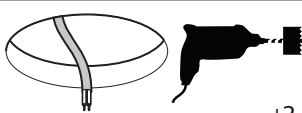
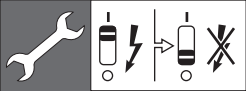
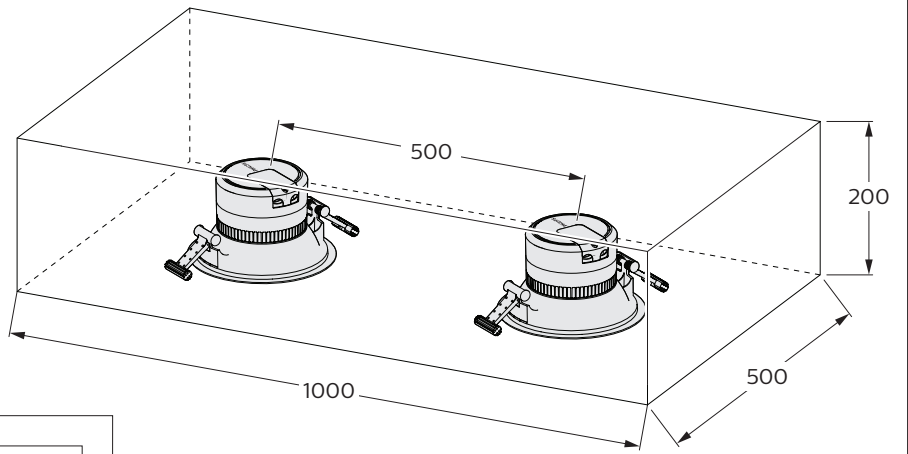
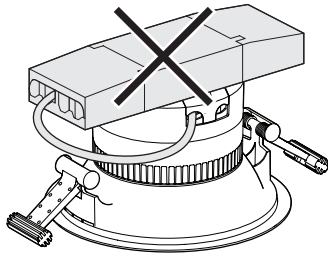
Coreline Downlight Emergency Lighting

DN140B



	System lumen (lm)	CCT (K)	Driver	Pnom (W)	Pmax (W)	Ø mm	Dimensions in mm		kg
							ØA	B	
DN140B	LED10S	1100	PSD-E IA1	14.5	15.7	150 - 155	162	98	1.15
	LED20S	2200		23.5	25.6	200 - 205	216	106	1.39



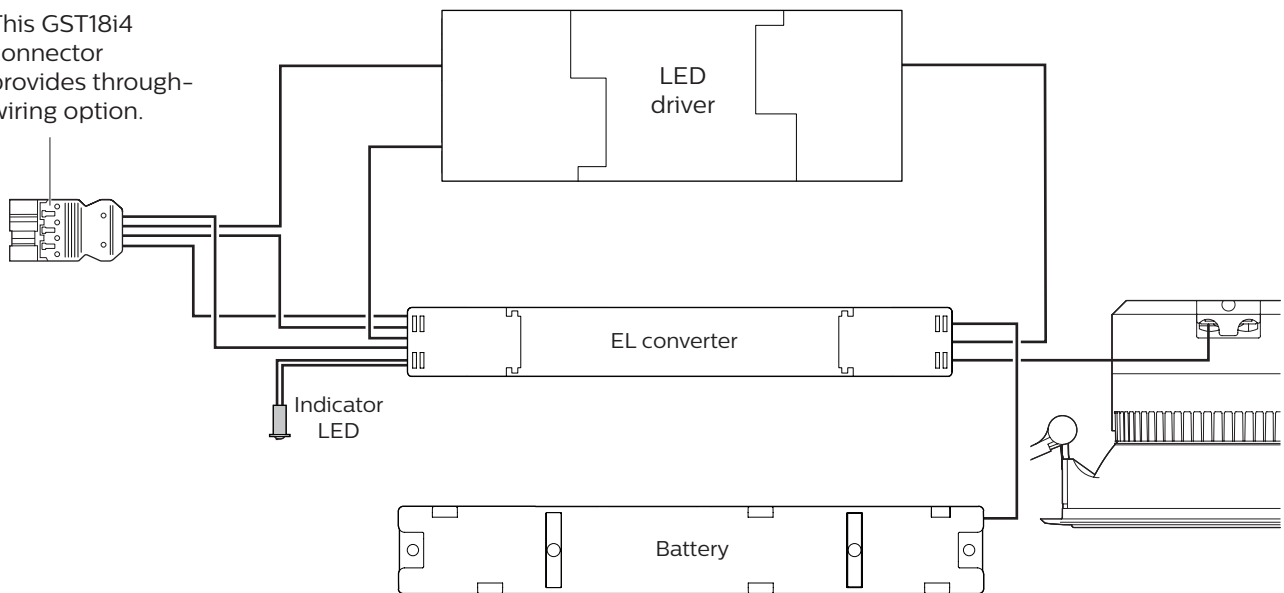


Ø See table on 1st page +2
0



The luminaire shall, under no circumstance, be covered with thermal insulation matting or similar material.

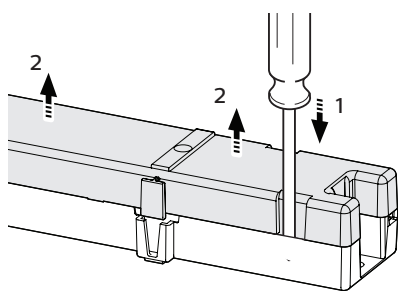
This GST18i4 connector provides through-wiring option.



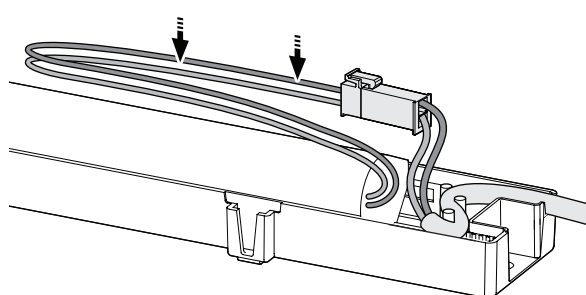
2



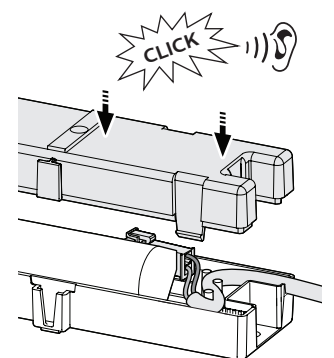
Battery replacement



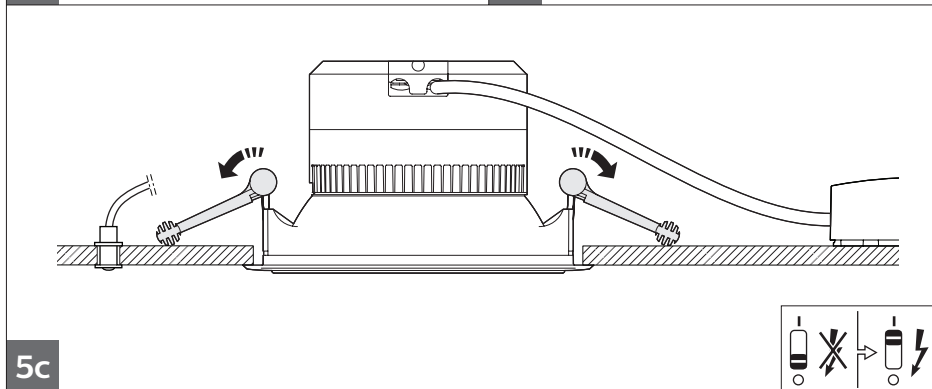
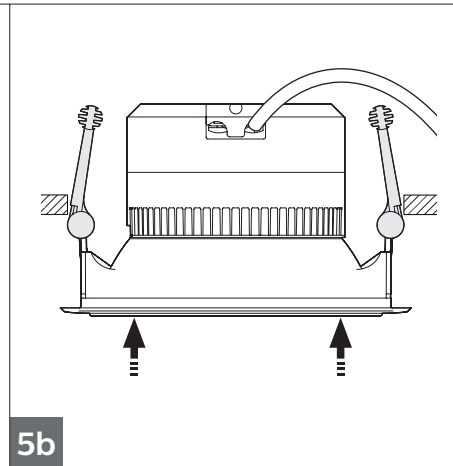
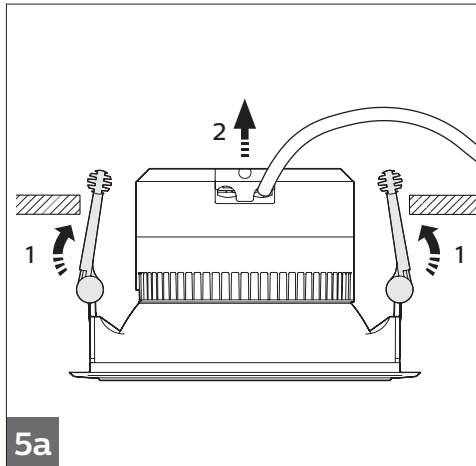
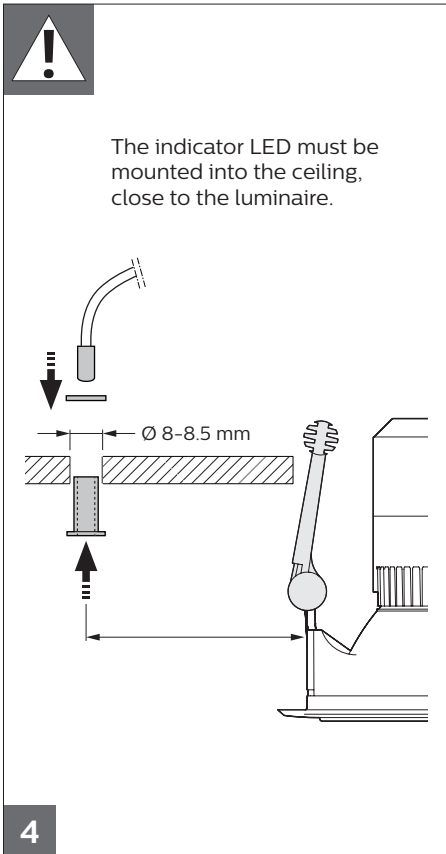
3a



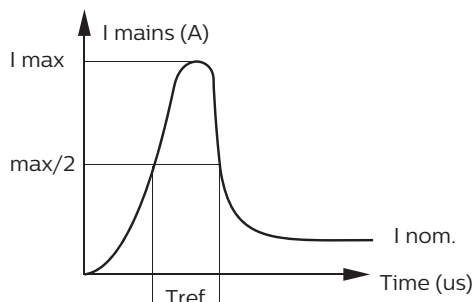
3b



3c



Inrush current

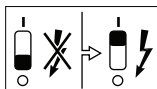
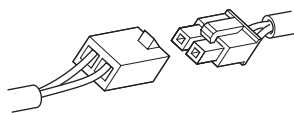


	PSD-E 1100lm	PSD-E 2200lm	IA1 2200lm
Electrical characteristics			
I _{nom} (A)	0.06	0.10	0.11
I _{max} (A)	20.40	20.40	12.00
T _{ref} (μs)	195	195	250
MCB No. of driver max			
B-10 A	15	15	15
B-13 A	19	19	19
B-16 A	24	24	24
C-10 A	25	25	25
C-13 A	32	32	32
C-16 A	40	40	40

Service: (Driver/battery replacement)

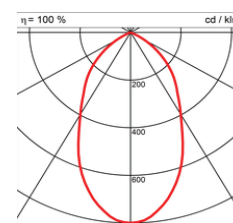
The batteries have a life time expectancy of 4 years
Light source (LED) is not replaceable.

- 1.) Disconnect the old battery
2. Reconnect the new battery



Rated light output	Normal mode	Emergency mode 3H
DN140B LED10S ELB3	100%	27%
DN140B LED20S ELB3	100%	14%

Polar intensity diagram



Maintenance instructions

There are a few instructions regarding the maintenance of this LED luminaire.

This is to assure the lighting quality of this unique LED lighting concept.

- Do not touch electronic components! Electronic components are under high voltage.
- Do not stare into LED light beam.
- The luminaire shall be installed by a qualified electrician and wired in accordance with the latest EEE electrical regulations. Periodic tests should be performed according to EN 50172:2004, clause 7.2.3 and 7.2.4. Each month the driver is running in emergency mode for 30 seconds.
- Once a year a full discharge cycle of at least 3 hrs. should be performed.
- The light source of this luminaire is not replaceable, when the light source reaches its end of life the whole luminaire shall be replaced. The driver shall only be replaced by the manufacturer or his service agent or a similar qualified person.
- The luminaire shall, under no circumstance, be covered with thermal insulation matting or similar material.





© 2019 Signify Holding.

All rights reserved. This document contains information relating to the product portfolio of Signify which information may be subject to change. No representation or warranty as to the accuracy or completeness of the information included herein is given and any liability for any action in reliance thereon is disclaimed. The information presented in this document is not intended as any commercial offer and does not form part of any quotation or contract. Philips and the Philips Shield Emblem are registered trademarks of Koninklijke Philips N.V.. All other trademarks are owned by Signify Holding or their respective owners.

Signify Holding.
The Netherlands