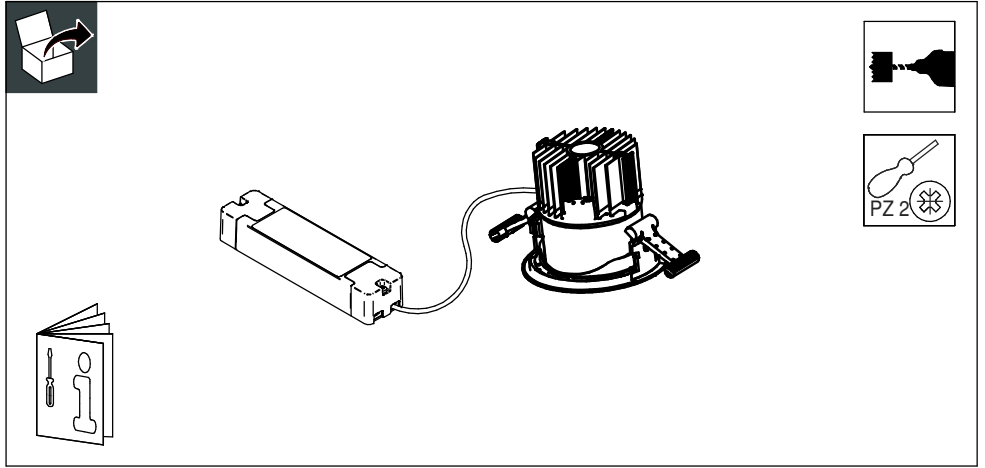


PHILIPS

LuxSpace Accent Compact

RS740B, RS741B



indoor	220 V 240 V	50 Hz 60 Hz	Max. 40 °C Min. 10 °C					GLOW WIRE 650 °C
--------	----------------	----------------	--------------------------	--	--	--	--	---------------------

Model	Lumen package	Color Temperature [K]	kg
RS740B	LED27S	PC930	0,76
RS741B	LED39S	PC930	0,76

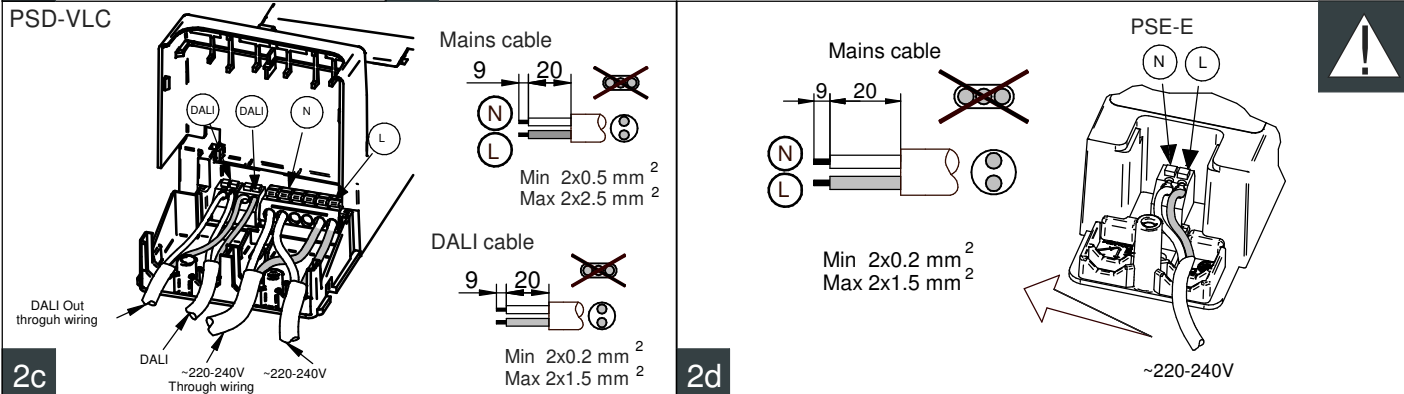
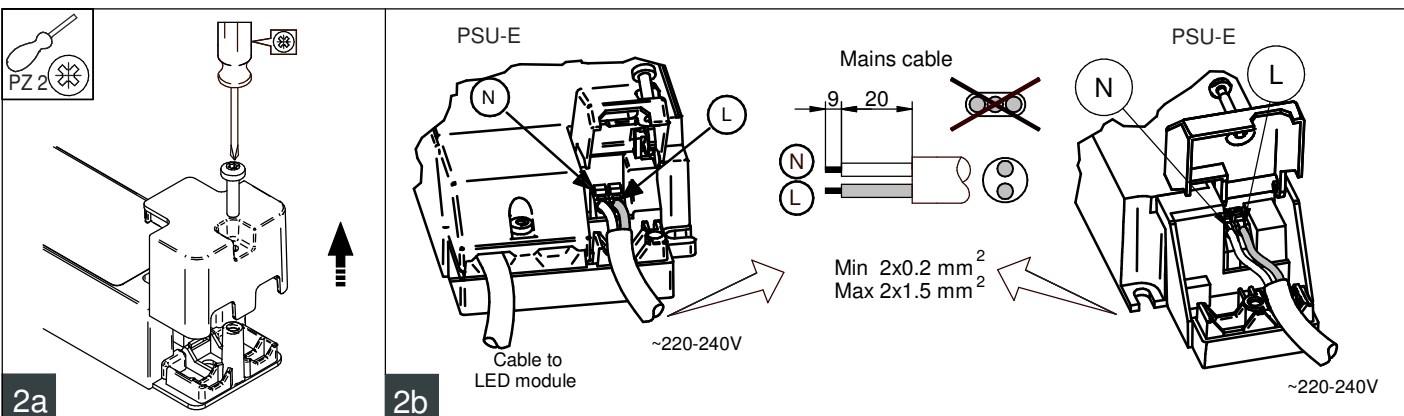
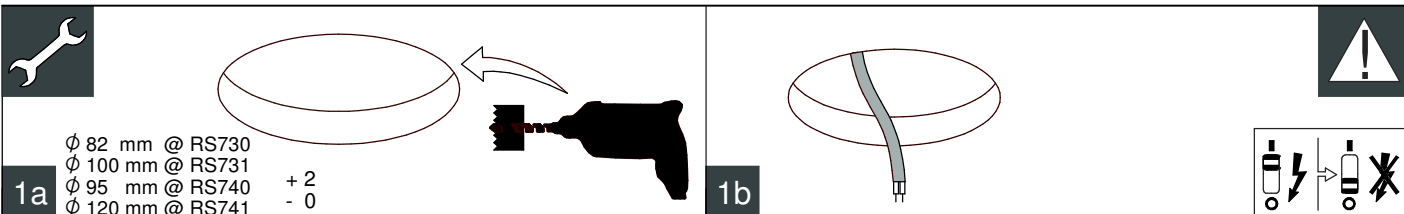
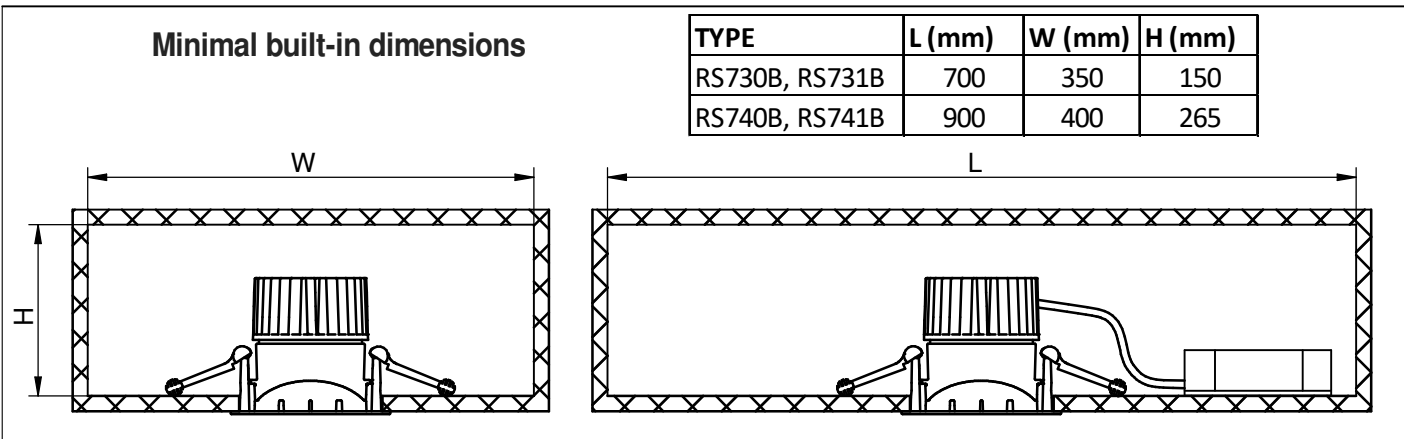
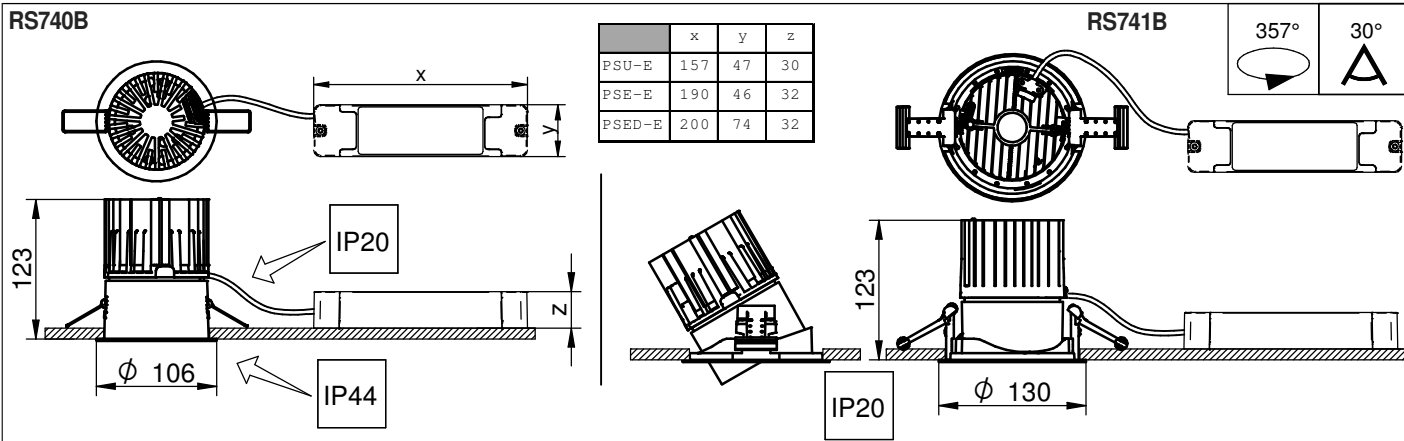
Product info

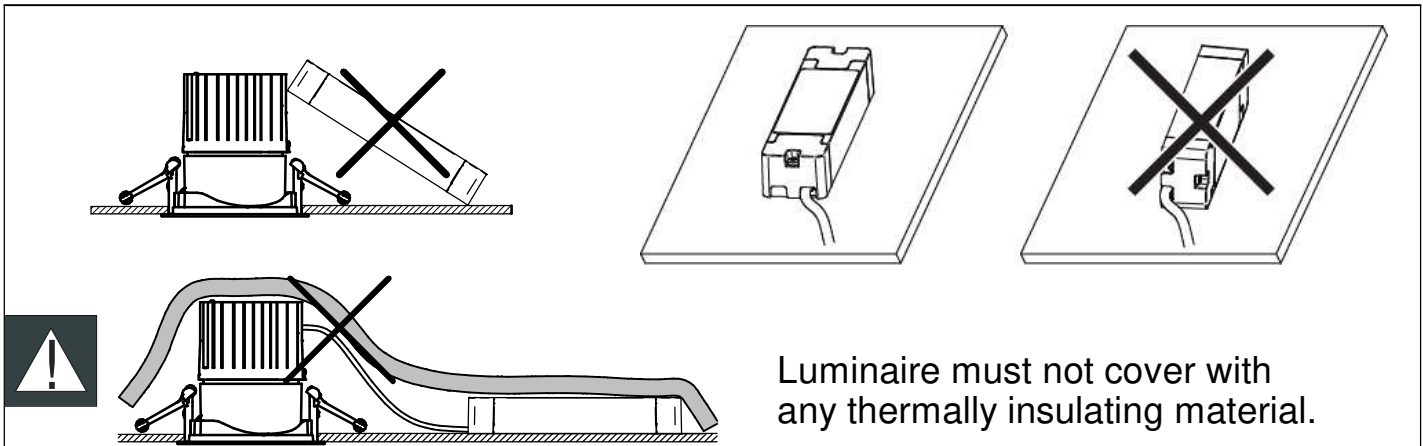
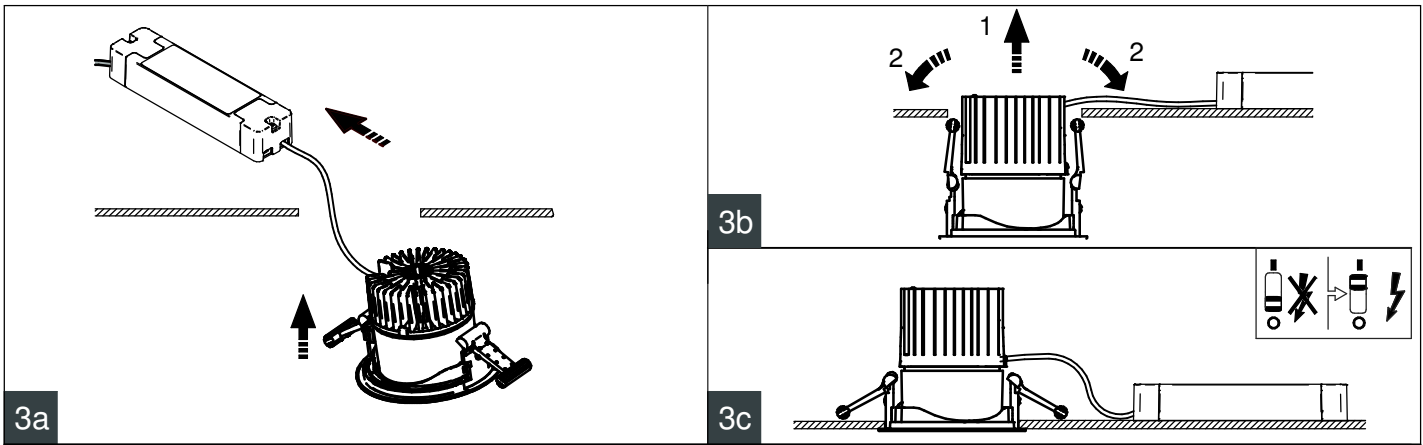
RS730B

RS731B

30°

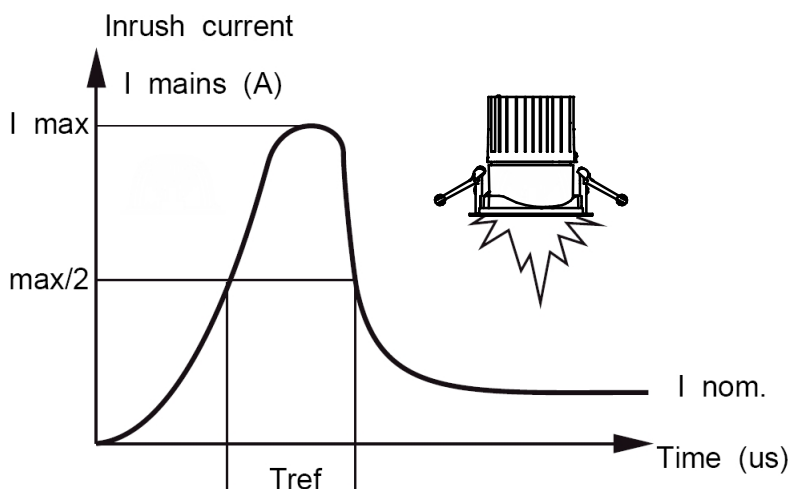
	x	y	z
PSU-E	157	47	30
PSE-E	190	46	32
PSED-E	200	74	32



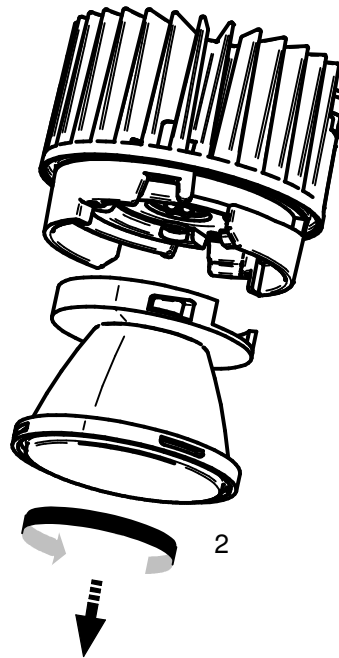
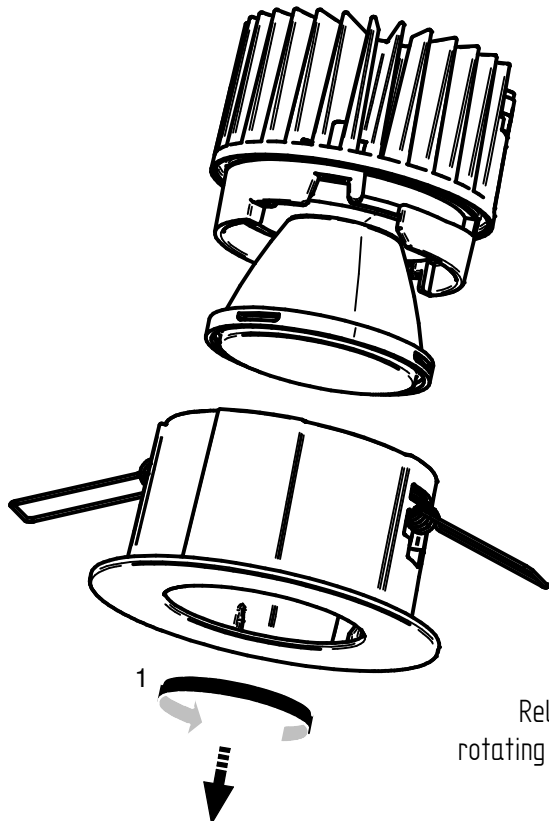


Luminaire must not cover with any thermally insulating material.

Xitanium 36W/m 0.3-1.05A 54V 230V (PSU-E)		Xitanium 36W WH 0.3-1.05A 54V Is (PSE-E)		Xitanium 36W WH 0.3-1A 54V TD/Is CL (PSD-VLC)		Xitanium 50W WH 0.7-1.5A 54V TD/Is CL 230V (PSD-VLC)	
Lum. Pack	Inom. (A)	Lum. Pack	Inom. (A)	Lum. Pack	Inom. (A)	Lum. Pack	Inom. (A)
I _{max} (A)	18	I _{max} (A)	16	I _{max} (A)	20,4	I _{max} (A)	24,9
T _{ref} (ms)	0,25	T _{ref} (ms)	0,216	T _{ref} (ms)	0,195	T _{ref} (ms)	0,186
MCB	Max. Products (pcs)*	MCB	Max. Products (pcs)*	MCB	Max. Products (pcs)*	MCB	Max. Products (pcs)*
B-10A	21	B-10A	22	B-10A	15	B-10A	17
B-16A	34	B-16A	36	B-16A	24	B-16A	27
C-10A	35	C-10A	37	C-10A	24	C-10A	28
C-16A	57	C-16A	61	C-16A	40	C-16A	45



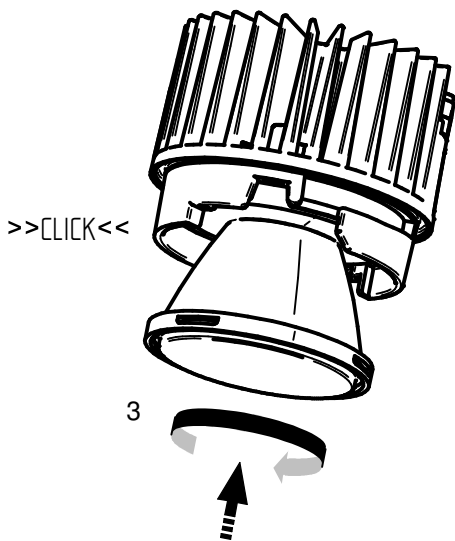
Reflector and fixed housing accessory changing instructions



Release the parts by rotating them counter clockwise

4a

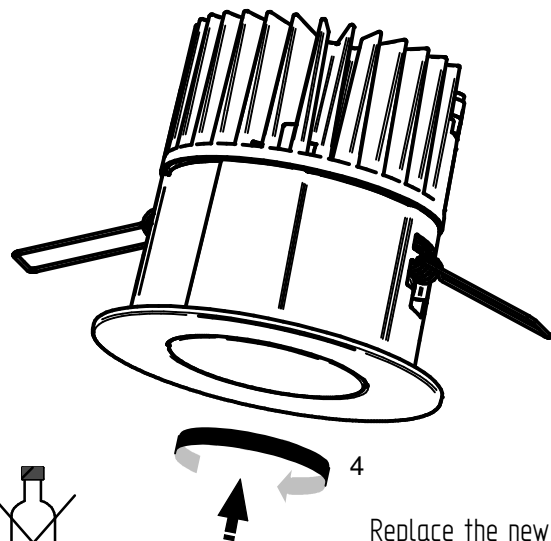
4b



Insert the new reflector and turn clockwise



Only with soft clothes!
Do not push hard!



Replace the new housing and turn clockwise

4a

4b

© 2018 Signify Holding.
All rights reserved. This document contains information relating to the product portfolio of Signify which information may be subject to change. No representation or warranty as to the accuracy or completeness of the information included herein is given and any liability for any action in reliance thereon is disclaimed. The information presented in this document is not intended as any commercial offer and does not form part of any quotation or contract. Philips and the Philips Shield Emblem are registered trademarks of Koninklijke Philips N.V.. All other trademarks are owned by Signify Holding or their respective owners.

Signify Holding.
The Netherlands